

100m 110V/240V Battery Backup Directional Waysafe



**100m
110/240V Battery Backup
Directional Waysafe**

The 110/240V Battery Backup Directional Waysafe has been designed for those users who require both portable and plug in power. A typical example would be on a railway, where workers are preparing a safe walking route and generated power is not immediately available.

The portable Waysafe system's cable is only 5mm in diameter. The cable emits a brilliant Blue/Green light along its entire length. This colour is highly visible at night and provides the safety and comfort factors inherent in a clear constant reference point. The product range has been developed specifically to accommodate the requirements for both portable and plug in power. There are Four standard illumination colours available, these are:- Blue/Green, Red, Lime Green and Orange

Typical UK users include but are not limited to:

- Fire & Rescue Services**
- Police Forces**
- Ambulance Service**
- UK HART Teams**
- Construction**
- Rail**

For those who require the ability to increase the illumination distance the 200m Waysafe gives you that flexibility, however the illumination time is reduced to 15 hours. This still offer two nights work from a single charge of the batteries.

Battery Waysafe

Illumination Durations at 100m

Full Illumination mode: Continuous
 Battery Backup: 7 Hours
 Tensile Strength: 65 kilos
 Cable Diameter: 5 mm

Power Output

Voltage: 12 v Nominal
 14.4v Max

Recharge Information

Recharge time: Continuous
 No of Recharges: 600

Weights

13 Kg

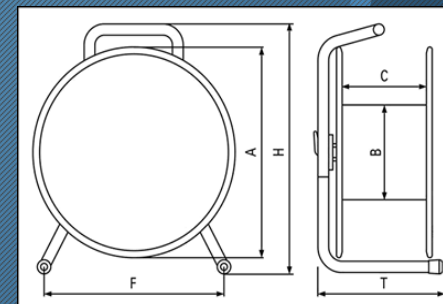
Part Numbers

PWBD-100M

IP Rating

IP65

Dimensions



A = 310 mm

C = 112 mm

H = 370 mm

B = 170 mm

F = 262 mm

T = 224 mm

