

100m Battery powered Waysafe



**100m
Battery Powered Waysafe**



The Waysafe linear illuminated marking system has been designed for use in low light or dark applications either internally or externally. It enables the user to mark a safe route or to mark a hazard.

The portable Waysafe system's cable is only 5mm in diameter. The cable emits a brilliant Blue/Green light along its entire length. This colour is highly visible at night and provides the safety and comfort factors inherent in a clear constant reference point. The product range has been developed specifically to accommodate the requirements for both portable and plug in power. There are Four standard illumination colours available, these are:- Blue/Green, Red, Lime Green and Orange

- Typical UK users include but are not limited to:**
- Fire & Rescue Services**
 - Police Forces**
 - Ambulance Service**
 - UK HART Teams**
 - Construction**
 - Rail**

For those who require the ability to increase the illumination distance the 100m Waysafe gives you that flexibility, however the illumination time is reduced to 15 hours. This still offer two nights work from a single charge of the batteries.

**Battery Waysafe
Illumination Durations at 100m**

Full Illumination mode: 15 Hours
Tensile Strength 65 Kilos
Cable Diameter; 5 mm

Power Output

Voltage: 12 v Nominal:
14.4v Max

Recharge Information

Recharge time: 3.5 Hours
No of Recharges: 600

Weights

8.0 Kg

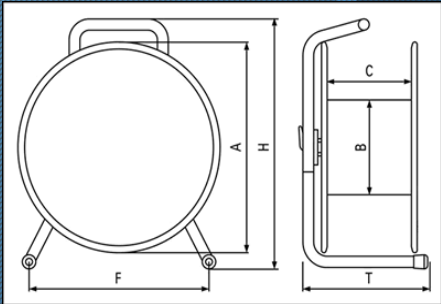
Part Numbers

PWB-100M

IP Rating

IP65

Dimensions



A = 310 mm B = 170 mm
C = 112 mm F = 262 mm
H = 370 mm T = 224 mm

