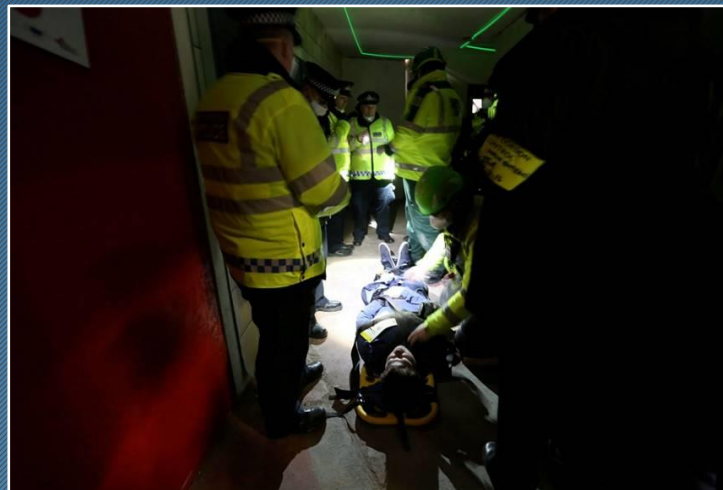


# 100m Directional Waysafe



The Directional Waysafe linear illuminated marking system has been designed for use in low light or dark applications either internally or externally. It enables the user to give a visible indication as to the direction of travel, which is ideal when working in difficult terrain.

The portable Waysafe system's cable is only 5mm in diameter. The cable emits a brilliant Lime Green light along its entire length. This colour is highly visible at night and provides the safety and comfort factors inherent in a clear constant reference point.. We also offer this product with Blue/Green Illumination material.

**Typical UK users include but are not limited to:**  
**Fire & Rescue Services**  
**Police Forces**  
**Ambulance Service**  
**UK HART Teams**  
**Construction**  
**Rail**

The Directional Waysafe offers the user the ability to give a visual indication of direction of travel. The various controls allow the user to change the direction, increase speed of direction and to increase or decrease the illumination levels

### Battery Waysafe

#### Illumination Durations at 100m

Full Illumination mode: 15 Hours  
 Tensile Strength 65 Kilos  
 Cable Diameter; 5 mm

#### Power Output

Voltage: 12 v Nominal:  
 14.4v Max

#### Recharge Information

Recharge time: 3.5 Hours  
 No of Recharges: 600

#### Weights

8.0 Kg

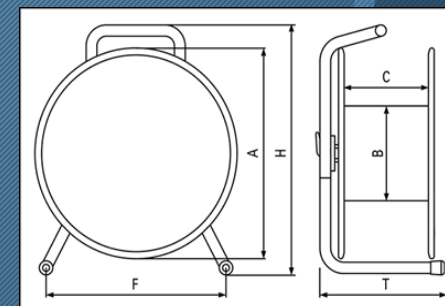
#### Part Numbers

#### IP Rating

#### Dimensions

PWB-100M

IP65



A = 310 mm  
 C = 112 mm  
 H = 370 mm

B = 170 mm  
 F = 262 mm  
 T = 224 mm

**100m  
 Directional Waysafe**



Telephone: 01249 819638

Linear Guidance Illumination Ltd  
 University House, Oxford Square, Newbury, Berkshire, RG14 1JQ  
 www.lineargi.com

sales@lineargi.com

