

50m Power Pack Waysafe



**50m
Battery Powered Waysafe**



The Waysafe linear illuminated marking system has been designed for use in low light or dark applications either internally or externally. It enables the user to mark a safe route or to mark a hazard.

The portable Waysafe system's cable is only 5mm in diameter. The cable emits a brilliant Blue/Green light along its entire length. This colour is highly visible at night and provides the safety and comfort factors inherent in a clear constant reference point. The product range has been developed specifically to accommodate the requirements for both portable and plug in power. There are Four standard illumination colours available, these are:- Blue/Green, Red, Lime Green and Orange

Typical UK users include but are not limited to:

- Fire & Rescue Services**
- Police Forces**
- Ambulance Service**
- UK HART Teams**
- Construction**
- Rail**

The most effective, cost efficient and visibly effective way of marking safe routes and areas of danger. This UK designed and built product offers the flexibility you require to undertake your task.

Battery Waysafe

Illumination Durations at 50m

Full Illumination mode: 30 Hours
Tensile Strength 65 Kilos
Cable Diameter; 5 mm

Power Output

Voltage: 12 v Nominal
14.4v Max

Recharge Information

Recharge time: 3.5 Hours
No of Recharges: 600

Weights

4.5 Kg

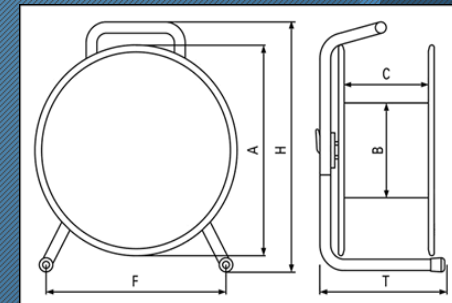
Part Numbers

PWB-50M

IP Rating

IP65

Dimensions



A = 235 mm

B = 135mm

C = 110mm

F = 210mm

H = 300mm

T = 180mm



Telephone: 01249 819638

Linear Guidance Illumination Ltd
University House, Oxford Square, Newbury, Berkshire, RG14 1JQ
www.lineargi.com

sales@lineargi.com

